

### FC1,5-24

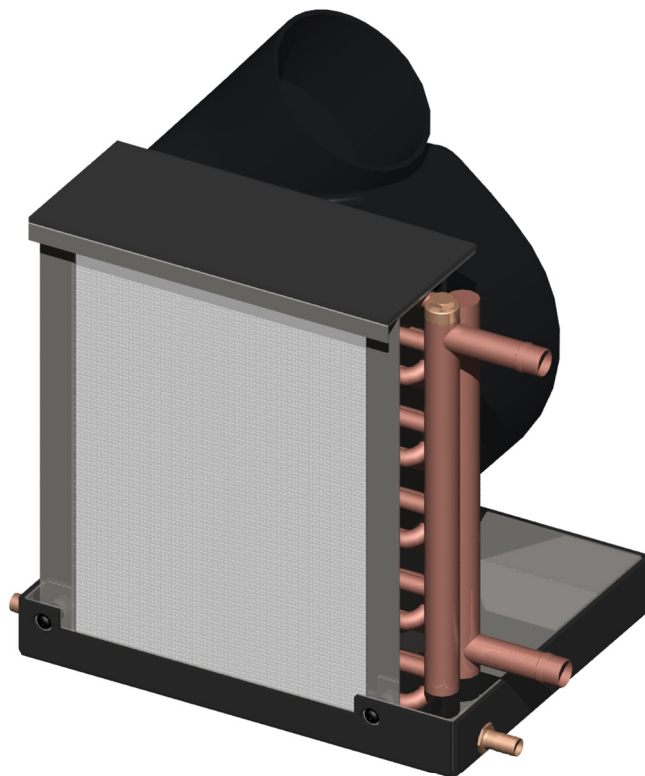
The fan coil unit FC1,5-24 can be applied when cooling or heating is required.

This unit can be easily installed in the compartment without being entirely visible. It is possible to install several in the same compartment.

This way the capacity is increased or can be dispersed without any problem.

Included with this system are all standard items that are required for mounting and installing the unit.

The fan coil unit can be perfectly combined with all our existing systems.



Voltage	Cool capacity	Heat capacity 80 °C water	Current	Airhose connection	Fluid connection	Max. air flow	Dimensions			Weight
							L	W	H	
24Vdc	1,5 kW (5.100Btu)	4 kW	2.5A	ø 100 mm	ø 16 mm	310 m³ p/u	270 mm	210 mm	300 mm	6 kg

#### Technical features

- Compact format.
- Rotatable fan housing.
- Installation friendly.
- High air flow air filter.
- Quiet operation.
- Low current.
- External electronic device.

#### Standard supply

- The fan coil unit.
- Manual.
- Air filter.
- Electronic connection device.

**All our systems come with 3 years full guarantee!**